

Thin Plate Pure Lead

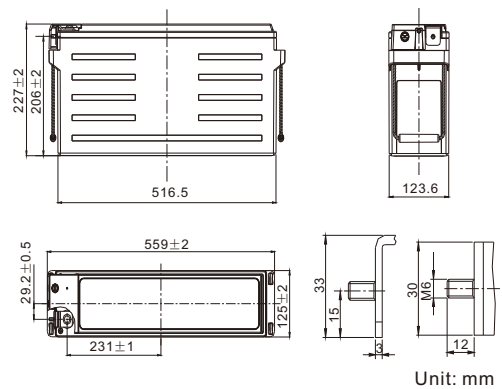
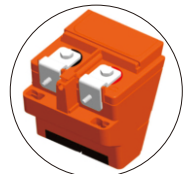
PLX12-450FT[A] (12V450W)

PLX SERIES
HIGH RATE

Specification	
Nominal Voltage	12V
Power (Watts)	450W (15min, 1.67V/cell, 25°C)
Rated Capacity (Ah)	110Ah (C ₁₀ , 1.80V/cell, 25°C)
Dimension	Length 559mm (22.01 inches)
	Width 125mm (4.92 inches)
	Container Height 227mm (8.94 inches)
	Total Height (with Terminal) 227mm (8.94 inches)
Weight	37.7Kg (17.1 lbs)
Terminal	M6
Container Material	PC-ABS flame retardant jar and cover to UL94V-0
Max. Discharge Current	1320A (5s)
Internal Resistance	Approx 4.0mΩ
Operating Temp. Range	Discharge : -40°C ~ 65°C (-40°F ~ 149°F)
	Charge : 0°C ~ 40°C (32°F ~ 104°F)
	Storage : -20°C ~ 40°C (-4°F ~ 104°F)
Capacity affected by Temperature	40°C (104°F) 103%
	25°C (77°F) 100%
	0°C (32°F) 86%

Storage

PLX series batteries can be stored up to 24 months at 25°C(77°F), For higher temperatures the time interval will be shorter. Battery needs to be given a freshening charge when the OCV approach 2.10V/cell or when the maximum storage time is reached, whichever occurs first.



Constant Current Discharge (Amperes) at 25 °C (77°F)

F.V/Time	5min	10min	15min	20min	30min	45min	1h	2h	3h	4h	5h	8h	10h	20h
1.85V/cell	277.6	215.6	177.5	151.8	118.9	90.8	73.9	43.3	31.0	24.3	20.0	13.2	10.8	5.82
1.80V/cell	315.5	239.4	194.4	164.7	127.3	95.9	77.6	44.7	31.8	24.8	20.4	13.4	11.0	5.95
1.75V/cell	353.4	261.6	209.7	176.0	134.4	100.3	80.5	45.9	32.5	25.2	20.7	13.6	11.2	6.07
1.70V/cell	390.5	281.5	222.8	185.5	140.3	103.8	82.8	46.8	32.9	25.5	21.0	13.8	11.3	6.16
1.67V/cell	411.7	292.1	229.4	190.1	143.0	105.4	83.9	47.1	33.1	25.7	21.1	13.9	11.3	6.19
1.60V/cell	456.9	311.4	240.4	197.3	147.0	107.5	85.4	47.7	33.6	26.1	21.3	14.1	11.6	6.25

Constant Power Discharge (Watts/cell) at 25 °C (77°F)

F.V/Time	5min	10min	15min	20min	30min	45min	1h	2h	3h	4h	5h	8h	10h	20h
1.85V/cell	552.2	435.9	362.3	311.7	241.4	189.2	154.9	91.7	66.0	51.8	42.9	28.4	23.3	12.4
1.80V/cell	615.8	476.7	391.5	334.1	258.8	198.6	161.4	94.2	67.4	52.7	43.4	28.8	23.6	12.8
1.75V/cell	677.5	514.0	417.5	353.7	271.6	206.3	166.8	96.3	68.6	53.5	44.0	29.1	24.0	13.0
1.70V/cell	735.2	546.4	439.3	369.7	280.3	212.3	171.0	97.9	69.5	54.1	44.6	29.5	24.2	13.2
1.67V/cell	767.2	563.0	450.0	377.3	285.7	215.1	172.7	98.6	69.9	54.5	44.9	29.6	24.3	13.2
1.60V/cell	831.2	591.9	466.9	388.7	292.2	218.7	175.1	99.6	70.6	55.0	45.2	29.8	24.5	13.3

Specifications subject to change without notice.

Thin Plate Pure Lead

Applications

- UPS (High rate)
- High power backup supply
- Emergency power supply
- Starting system
- Power tools
- Emergency lighting
- Electrical starting

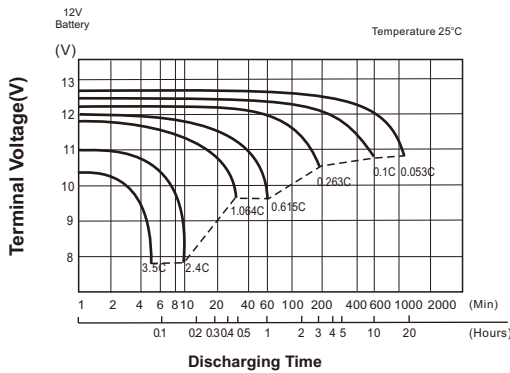
General Features

- 15 years design life(25°C)
- Long Shelf Life up to 2 years @25°C(77°F)
- Premium ABS+PC jar & covers, Flame Retardant to UL94V-0
- High-rate performance, high energy density
- Virgin pure lead plates / copper alloy terminal inserts
- High quality AGM separators minimize electrical resistance to allow high current discharging properties

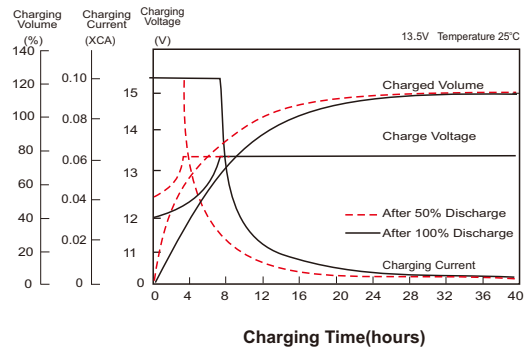
Standards

- IEC 60896 Certified
- Classified as "Very Long Life" according to Eurobat
- UL Recognized
- Approved as non-hazardous cargo for ground, sea and air transportation in accordance with ICAO, IATA and IMDG
- Manufactured in Leoch@TS16949, ISO 9001,ISO 14001 and OHSAS 18001 certified production facilities

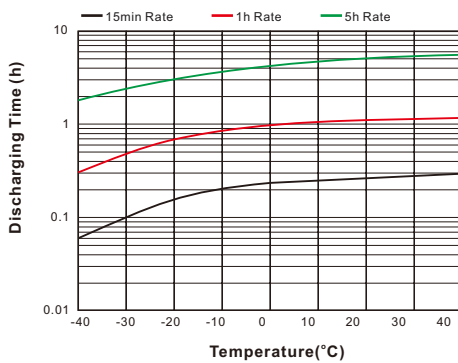
Discharging Characteristics



Charging Characteristics



Effect of Temperature on Discharging Time



Self Discharge Characteristics

