

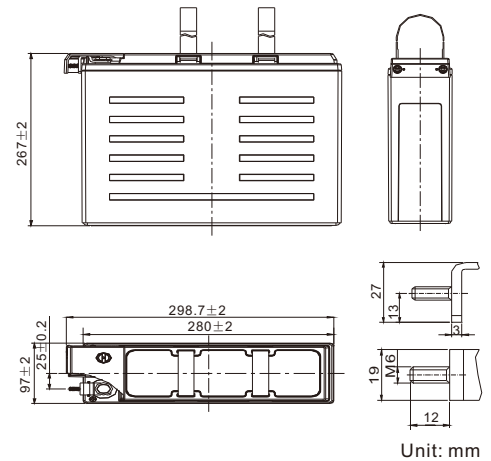
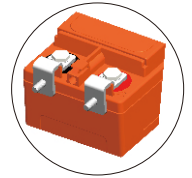
Thin Plate Pure Lead

PLX12-260FT[A] (12V260W)

PLX SERIES
HIGH RATE

Specification

Nominal Voltage	12V	
Power (Watts)	260W	(15min, 1.67V/cell, 25°C)
Rated Capacity (Ah)	62Ah	(C ₁₀ , 1.80V/cell, 25°C)
Dimension	Length	298.7mm (11.76 inches)
	Width	97mm (3.82 inches)
	Container Height	267mm (10.51 inches)
	Total Height (with Terminal)	267mm (10.51 inches)
Weight	19.9Kg (43.87 lbs)	
Terminal	M6	
Container Material	PC-ABS flame retardant jar and cover to UL94V-0	
Max. Discharge Current	744A (5s)	
Internal Resistance	Approx 4.7mΩ	
Operating Temp. Range	Discharge : -40°C ~ 65°C (-40°F ~ 149°F)	
	Charge : 0°C ~ 40°C (32°F ~ 104°F)	
	Storage : -20°C ~ 40°C (-4°F ~ 104°F)	
Capacity affected by Temperature	40°C (104°F)	103%
	25°C (77°F)	100%
	0°C (32°F)	86%
Storage	<p>PLX series batteries can be stored up to 24 months at 25°C(77°F), For higher temperatures the time interval will be shorter. Battery needs to be given a freshening charge when the OCV approach 2.10V/cell or when the maximum storage time is reached, whichever occurs first.</p>	



Constant Current Discharge (Amperes) at 25 °C (77°F)

F.V/Time	5min	10min	15min	20min	30min	45min	1h	2h	3h	4h	5h	8h	10h	20h
1.85V/cell	150.3	117.6	101.2	86.5	65.7	48.5	38.6	21.8	17.4	13.3	10.9	7.22	6.08	3.16
1.80V/cell	176.3	134.7	112.1	94.5	70.2	51.0	40.3	22.8	18.1	13.9	11.3	7.47	6.20	3.22
1.75V/cell	197.2	146.9	121.0	100.8	74.6	53.2	41.8	23.5	18.5	14.2	11.6	7.59	6.28	3.26
1.70V/cell	215.0	158.5	128.5	106.0	77.5	55.1	42.9	23.8	18.9	14.4	11.8	7.72	6.37	3.29
1.67V/cell	235.6	166.7	135.3	110.1	80.6	57.0	44.0	24.3	19.1	14.6	11.9	7.80	6.41	3.31
1.60V/cell	252.1	176.3	142.1	114.9	82.7	58.1	44.8	24.6	19.3	14.8	12.0	7.88	6.45	3.34

Constant Power Discharge (Watts/cell) at 25 °C (77°F)

F.V/Time	5min	10min	15min	20min	30min	45min	1h	2h	3h	4h	5h	8h	10h	20h
1.85V/cell	330.8	243.9	205.9	168.3	128.8	96.0	76.6	43.5	31.2	24.7	20.7	14.4	12.3	6.45
1.80V/cell	383.8	276.5	226.7	182.7	136.7	100.2	79.4	45.3	32.5	25.7	21.5	14.8	12.6	6.57
1.75V/cell	423.8	298.3	242.2	193.2	144.2	103.8	81.8	46.4	33.2	26.2	21.9	15.0	12.7	6.61
1.70V/cell	458.0	317.5	254.5	201.2	148.4	106.8	83.4	46.9	33.7	26.6	22.2	15.3	12.8	6.65
1.67V/cell	461.1	329.6	260.0	206.8	155.0	109.7	85.2	47.5	34.0	26.9	22.4	15.4	12.9	6.70
1.60V/cell	485.3	343.8	266.5	213.6	159.1	110.9	86.0	47.9	34.2	27.0	22.6	15.5	12.9	6.74

Thin Plate Pure Lead

Applications

- UPS (High rate)
- High power backup supply
- Emergency power supply
- Starting system
- Power tools
- Emergency lighting
- Electrical starting

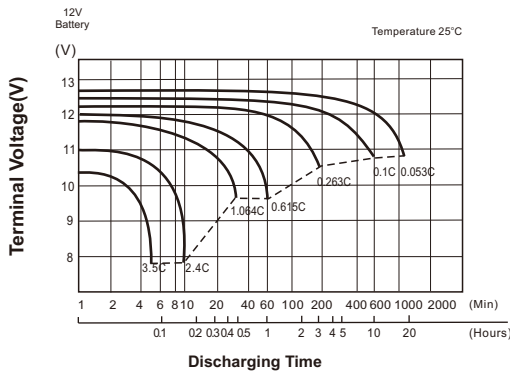
General Features

- 15 years design life(25°C)
- Long Shelf Life up to 2 years @25°C(77°F)
- Premium ABS+PC jar & covers, Flame Retardant to UL94V-0
- High-rate performance, high energy density
- Virgin pure lead plates / copper alloy terminal inserts
- High quality AGM separators minimize electrical resistance to allow high current discharging properties

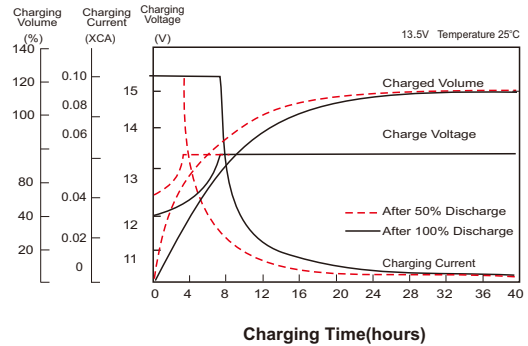
Standards

- IEC 60896 Certified
- Classified as "Very Long Life" according to Eurobat
- UL Recognized
- Approved as non-hazardous cargo for ground, sea and air transportation in accordance with ICAO, IATA and IMDG
- Manufactured in Leoch@TS16949, ISO 9001, ISO 14001 and OHSAS 18001 certified production facilities

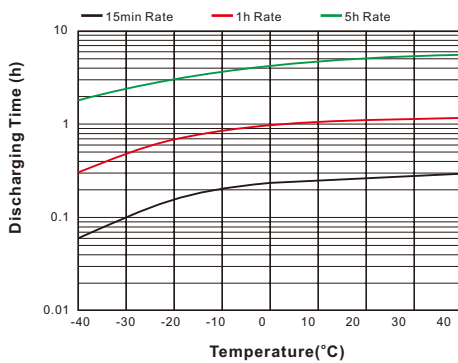
Discharging Characteristics



Charging Characteristics



Effect of Temperature on Discharging Time



Self Discharge Characteristics

