

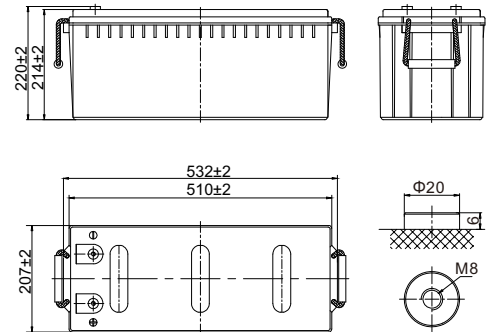
LHR Series High Rate LHR12600W(12V600W)

Specifications

Rated Voltage	12V	
Nominal Rate ($W_{15}, 1.67V/cell$)	600W	
Nominal Capacity($C_{10}, 1.80V/cell$)	180Ah	
Dimension	Length	532±2mm (20.94 inches)
	Width	207±2mm (8.14 inches)
	Container Height	214±2mm (8.42 inches)
	Total Height	220±2mm (8.66 inches)
Approx. Weight	53.6 Kg (118.2 lbs)	
Terminal	M8	
Container Material	ABS(UL94 V-0)	
Rated Capacity (25°C)	180.0 Ah	(10hr, 18.0A, 1.80V/cell)
	172.8 Ah	(8hr, 21.6A, 1.80V/cell)
	157.5 Ah	(5hr, 31.5A, 1.75V/cell)
	143.1 Ah	(3hr, 47.7A, 1.75V/cell)
	115.2 Ah	
Max. Discharge Current	1800A	
Internal Resistance (25°C)	Approx. 3.2mΩ	
Operating Temp. Range	Discharge	-20 ~ 55°C (4 ~ 131°F)
	Charge	0 ~ 40°C (32 ~ 104°F)
	Storage	-15 ~ 50°C (5 ~ 122°F)
Nominal Operating Temp. Range	25±3°C (77±5°F)	
Max. Charging Current(25°C)	45A	
Charge voltage(25°C)	Float	13.5V
	Temp. Coefficient	-3mV/cell/°C
	Equalization	14.1~14.4V
Effect of temp. to Capacity	40°C (104°F)	106%
	25°C (77°F)	100%
	0°C (32°F)	86%
Self Discharge	≤3%/month @ 25°C	



Layout



Constant Current Discharge (Amperes) at 25 °C (77°F)

F.V/Time	5min	10min	15min	20min	30min	45min	1h	1.5h	2h	3h	4h	5h	8h	10h
1.85V/cell	374.6	279.6	232.9	195.7	150.5	112.3	94.8	71.1	56.9	42.9	34.2	28.6	20.2	16.9
1.80V/cell	436.7	329.8	270.9	225.6	170.1	125.5	105.0	77.8	61.9	46.5	36.9	30.8	21.6	18.0
1.75V/cell	476.6	353.6	286.5	236.7	177.8	130.6	108.8	80.4	63.8	47.7	37.8	31.5	22.0	18.3
1.70V/cell	516.1	377.1	302.8	249.1	185.6	135.6	112.8	83.2	65.9	49.1	38.8	32.2	22.4	18.6
1.67V/cell	538.9	390.9	312.4	256.1	190.3	138.6	115.2	84.7	67.0	49.8	39.3	32.6	22.6	18.7
1.60V/cell	594.0	423.0	334.8	272.7	201.1	145.8	120.8	88.4	69.8	51.7	40.6	33.6	23.2	19.1

Constant Power Discharge (Watts/cell) at 25 °C (77°F)

F.V/Time	5min	10min	15min	20min	30min	45min	1h	1.5h	2h	3h	4h	5h	8h	10h
1.85V/cell	727.4	562.1	467.9	396.0	305.3	228.6	184.4	138.7	111.3	84.2	67.2	56.3	39.9	33.4
1.80V/cell	838.1	654.8	538.7	451.9	342.3	253.7	202.7	150.9	120.5	90.7	72.2	60.5	42.6	35.6
1.75V/cell	922.1	693.6	564.0	469.6	354.7	262.0	208.7	155.0	123.5	92.7	73.7	61.6	43.3	36.1
1.70V/cell	982.4	730.1	589.5	489.3	367.0	269.8	214.8	159.3	126.7	95.0	75.3	62.9	44.0	36.6
1.67V/cell	1015.9	750.9	600.0	499.9	374.3	274.5	218.3	161.5	128.4	96.2	76.2	63.5	44.4	36.8
1.60V/cell	1028.0	796.0	626.0	524.0	390.3	285.6	226.7	167.4	132.8	99.1	78.3	65.2	45.3	37.5

LHR Series High Rate LHR12600W(12V600W)

Applications

- UPS
- Hospitals & Testing Laboratories
- Emergency Power Supply
- Industrial Process Control Facilities
- Banks & Financial Markets
- Data & Network Operation Centers

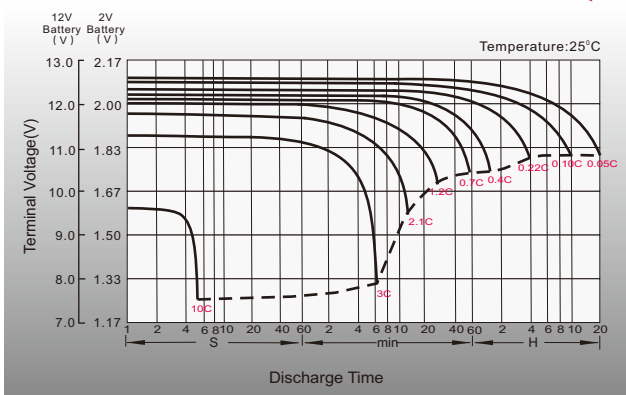
General Features

- ABS material: UL94 V-0
- Oxygen recombination efficiency: $\geq 98\%$
- High quality AGM separator: extend cycle life and prevent micro short circuit
- Unique vent valve design: reduce water losing and prevent air/spark going inside
- PbCaSn alloy for plate grids: less gassing, less self-discharging

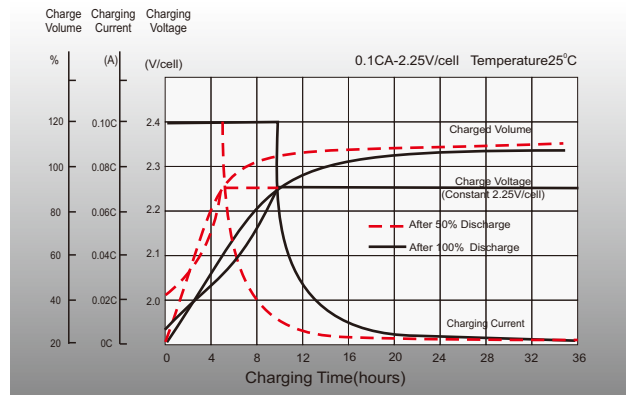
Standards

- Compliance with IEC 60896 standards
- Classified as "Long Life" according to Eurobat
- CE, UL Certified
- Manufactured in Leoch@IATF16949, OHSAS 18001, ISO 9001 and ISO 14001 certified production facilities

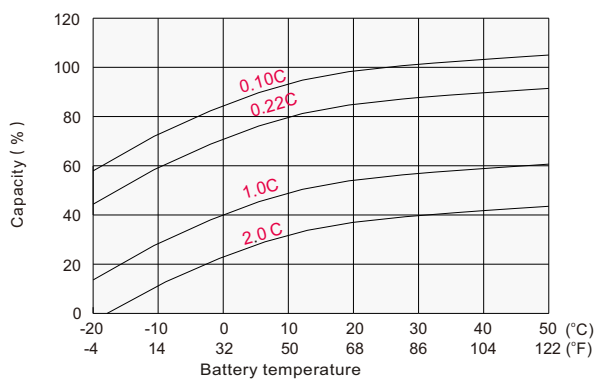
Discharge Characteristics



Float Charging Characteristics



Temperature Effects in Relation to Battery Capacity



Temperature Effects on Long Term Float Life

