



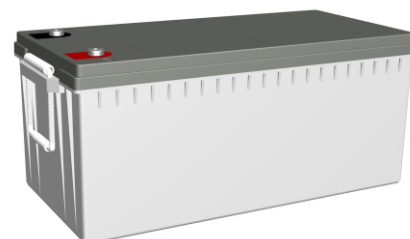
XP Series-Ultra High Rate

XP12-740(12V740W)

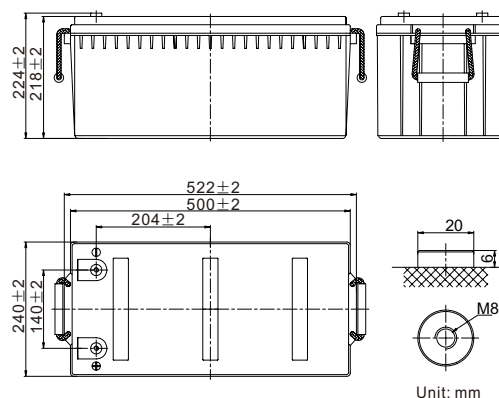


Specifications

Rated Voltage	12V	
Nominal Rate ($W_{15}, 1.67V/cell$)	740.0W/cell	
Nominal Capacity($C_{20}, 1.80V/cell$)	225Ah	
Dimension	Length	522±2mm (20.55 inches)
	Width	240±2mm (9.45 inches)
	Container Height	218±2mm (8.58 inches)
	Total Height	224±2mm (8.82 inches)
Approx. Weight	63.5 Kg (140.0 lbs)	
Terminal	M8	
Container Material	ABS	
Rated Capacity (25°C)	236.0 Ah	(20hr, 11.8A, 1.80V/cell)
	225.0 Ah	(10hr, 22.5A, 1.80V/cell)
	197.0 Ah	(5hr, 39.4A, 1.75V/cell)
	173.4 Ah	(3hr, 57.8A, 1.75V/cell)
	131.2 Ah	(1hr, 131.2A, 1.67V/cell)
Max. Discharge Current	2250A	
Internal Resistance (25°C)	Approx. 2.8mΩ	
Operating Temp. Range	Discharge	-15 ~ 50°C (5 ~ 122°F)
	Charge	0 ~ 40°C (32 ~ 104°F)
	Storage	-15 ~ 40°C (5 ~ 104°F)
Nominal Operating Temp. Range	25±3°C (77±5°F)	
Max. Charging Current(25°C)	67.5A	
Charge voltage(25°C)	Float	13.5V
	Temp. Coefficient	-3mV/cell/°C
	Equalization	14.1~14.4V
Effect of temp. to Capacity	40°C (104°F)	103%
	25°C (77°F)	100%
	0°C (32°F)	86%
Self Discharge	≤3%/month @ 25°C	



Layout



Unit: mm

Constant Current Discharge (Amperes) at 25 °C (77°F)

F.V/Time	15min	20min	30min	1h	1.5h	2h	3h	4h	5h	8h	10h	20h
1.85V/cell	333.4	282.2	208.8	108.1	88.9	71.2	51.9	42.8	35.7	25.2	21.1	11.1
1.80V/cell	372.9	315.6	233.5	119.5	97.3	77.4	56.3	46.1	38.5	27.0	22.5	11.8
1.75V/cell	397.8	336.7	249.1	124.0	100.6	79.8	57.8	47.3	39.4	27.5	22.8	12.0
1.70V/cell	418.4	354.1	262.0	130.5	104.0	82.4	59.5	48.4	40.3	28.0	23.2	12.2
1.67V/cell	425.1	359.8	266.2	131.2	105.8	83.7	60.4	49.1	40.8	28.3	23.4	12.3
1.60V/cell	431.2	364.9	270.0	137.6	110.5	87.2	62.6	50.7	42.0	28.9	23.9	12.5

Constant Power Discharge (Watts/cell) at 25 °C (77°F)

F.V/Time	15min	20min	30min	1h	1.5h	2h	3h	4h	5h	8h	10h	20h
1.85V/cell	600.0	507.8	375.7	232.3	174.8	139.3	105.5	87.0	74.2	52.7	44.0	23.1
1.80V/cell	671.0	567.9	420.2	244.8	182.3	146.3	109.8	90.3	76.8	53.8	45.0	23.6
1.75V/cell	715.8	605.8	448.2	258.8	192.2	152.4	113.9	93.3	79.1	54.7	45.4	23.8
1.70V/cell	753.0	637.3	471.5	267.7	198.5	157.3	116.8	95.4	80.5	55.3	45.7	24.0
1.67V/cell	765.0	647.4	479.0	275.8	204.1	161.4	119.8	97.1	81.5	55.8	46.1	24.2
1.60V/cell	775.9	656.7	485.8	282.1	208.2	164.4	120.9	98.0	82.7	56.4	46.7	24.5



XP Series-Ultra High Rate

XP12-740(12V740W)



Applications

- UPS
- Hospitals & Testing Laboratories
- Emergency Power Supply
- Electric starting
- Telecommunications
- Data Centers

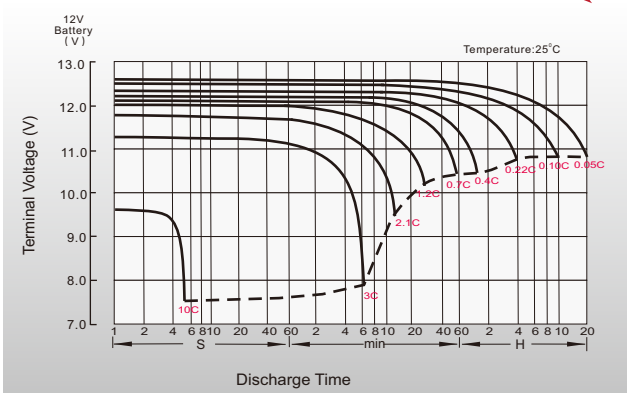
General Features

- Special designed grids for optimized high power density
- Oversized partition intercell welds, providing low resistance connections & minimal power loss
- Advanced lead tin calcium alloy, reduces grid corrosion & promotes long battery life
- Performance excels at high rates of discharge & recharge
- High integrity post seal for long life

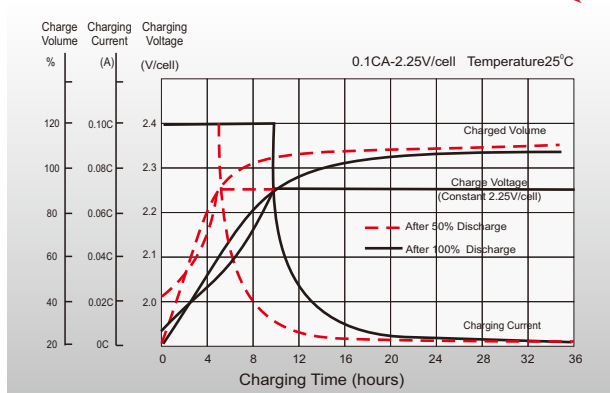
Standards

- Compliance with IEC 60896 standards
- Classified as "Very Long Life" according to Eurobat
- CE, UL Certified
- Manufactured in Leoch®TS16949, OHSAS 18001, ISO 9001 and ISO 14001 certified production facilities

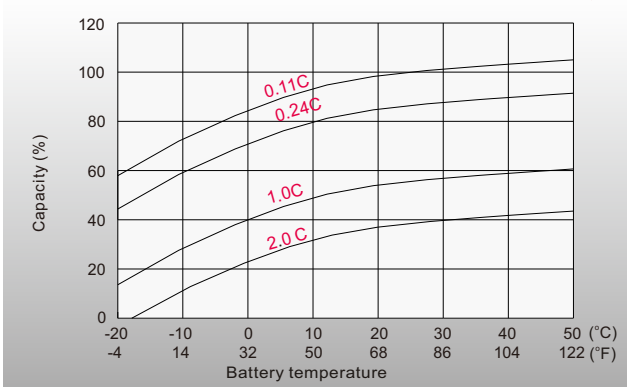
Discharge Characteristics



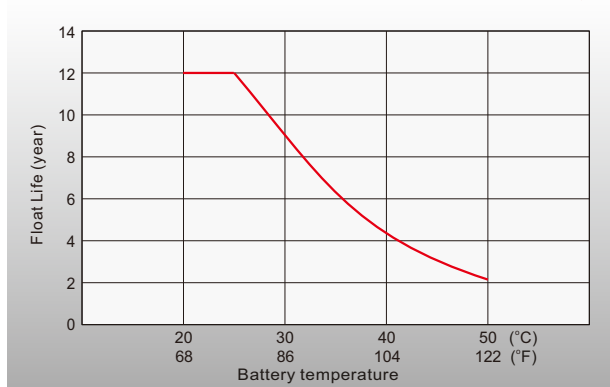
Float Charging Characteristics



Temperature Effects in Relation to Battery Capacity



Temperature Effects on Long Term Float Life



Sales Offices Worldwide

China Sales Office

5th Floor, Xinhaohui Bldg., Nanhai Blvd.,
Nanshan, Shenzhen, China. 518052
Tel: +86-755-86036060 (100 lines)
Fax: +86-755-26067269
E-mail: export@leoch.com

HongKong Sales Office

Workshop C, 33/F, TML Tower, No. 3 Hoi Shing Road,
Tsuen Wan, New Territories, Hong Kong
Tel: +852 35786666
Fax: +44 1452 690125
E-mail: sales.hk@leoch.com

Singapore Sales Office

No. 1 Tech Park Crescent,
Singapore 638131
Tel: +65 68636078
Fax: +65 6863 6079
Email: sales.sg@leoch.com

Australia Sales Office

2 /29 Tarlington Place, Smithfield. NSW 2164
Australia
Tel: 02 9756 0950
E-mail: sales.au@leoch.com

North America Sales Office

19751 Descartes
Foothill Ranch, CA 92610, USA
Tel: 949-588-5853
Fax: 949-588-5966
E-mail: sales@leoch.us

UK Sales Office

9B Wheatstone Court, Waterwells, Business Park,
Gloucester, GL2-2AQ, UK United Kingdom
Tel: +44(0) 1452 729428 / 1452 729696
Fax: +44 1452 690125
E-mail: Sales.Europe@leoch.com

EMEA Sales Office

1 Deligiorgi St., 121 31 Athens,
Greece
Tel: +30 210 5760318 (2 lines)
E-mail: support_EMEA@leoch.com

India Sales Office

Shed no. A-53(b), 2nd Stage of Peenya Industrial Area,
Bangalore North Taluk, Bangalore-560058, India
Tel: +91-80-23440018/23440019
Fax: +91-80-23440017
E-mail: indiasales@leoch.com



<http://www.leoch.com>
<http://www.leoch.us>

© 2018 LEOCH. All rights reserved.

Trademarks and logos are the property of LEOCH and its affiliates unless otherwise noted.
Subject to revisions without prior notice.

Publication No.: LB-XP12-740-PD-EN-V2.0-201811